



AT18HV model Shown

Cruisair introduces the new “AT” line of Tempered Water air handlers. These are draw-through (ducted) units that replace the CBU, CBBL, and CHBBL models, and have many improvements and options over the existing units.

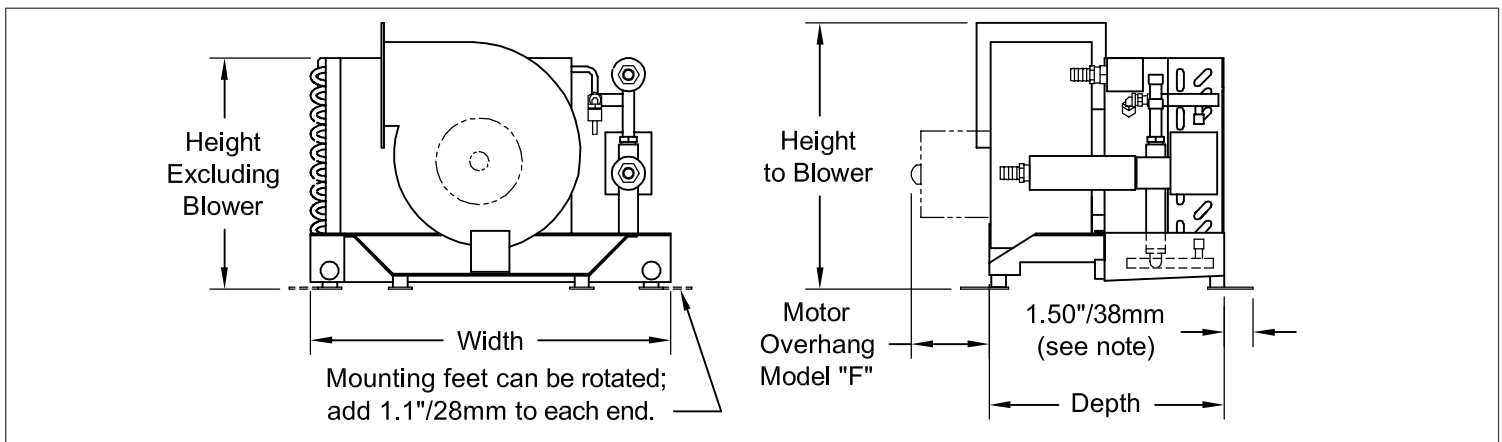
Significant improvements include: sloped “Positive-Flow” drain pan which reduces standing water, larger drain connections, improved coil design for better cooling and dehumidifying performance, coil is offset from drain pan edge to ensure all condensation is caught in the pan, redesigned piping so the bypass valve is clear of dripping condensation, pressure test ports for troubleshooting, and the new 24,000 BTU/Hr unit uses a high-efficiency, internal-motor blower for quieter operation. On units with auxiliary (electric) heat, the new heater design allows removal from the top or side for access or servicing.

Features

- Compact design; large coil shroud volume for optimum performance
- High-efficiency internal-motor blower, except model AT4F. Blower can be rotated in field
- Integrated 3-way bypass valve with easy-change power head
- Modulating flow control to ensure proper water distribution to all units
- Sloped, “Positive-Flow” drain pan with anti-slosh, antifungal foam
- Two 1/2” FPT drain connections on back of pan within footprint of unit
- Integrated chassis with vibration isolation mounting feet
- Remote air bleeder on 6ft (1.8m) of flexible tubing with ball valve
- Washable air filter included. Micro-Particle Anti-Allergenic air filters available.
- Large, remote electrical junction box with 6ft (1.9m) wire harness
- 24k unit with high-efficiency internal-motor blower
- Water pressure test ports for troubleshooting
- Allowance for connecting variable fan speed drives
- Rotatable blowers
- ISTA certified packaging
- Change-Over Stat (COS) is now sold with the new AT power/logic box model PLTX-HVSTAT which also includes a TSEP10.

Options

- Electric heat with two-stage electric heat overload (no thermo-fuse), heater assembly accessible from top or side
- Electric heat option may be added in the field
- Right-hand water connections
- Available without bypass valve
- Pre-rotated blowers
- Corrosion resistant coated evaporator coil
- 3ph electric heat available



TECHNICAL SPECIFICATIONS

Model ^{(1) (2)}	AT4F		AT6HV		AT9HV		AT12HV		AT18HV		AT24HV		AT36HV
Capacity (BTU/Hr)/(Kcal/Hr)	4,000/1,008		6,000/1,512		9,000/2,268		12,000/3,024		18,000/4,536		24,000/6,048		36,000/9,072
Voltage @ 50-60Hz/1Ph	115	230	115	230	115	230	115	230	115	230	115	230	230
Amperage (FLA) Cool	0.9	0.5	1.2	0.6	1.4	0.7	1.4	0.7	2.2	1.0	2.2	1.0	1.6
Optional Electric Heaters ⁽³⁾													
Element Size (kW)	n/a		1.0		1.5		2.0		3.0		3.0		4.0
Rating (BTU/Hr)/(Kcal/Hr)	n/a		3,412/860		5,118/1,290		6,824/1,720		10,236/2,579		10,236/2,579		13,648/3,439
Amperage (FLA) Heat	n/a		10.5	4.9	14.4	7.2	18.8	9.4	28.3	14.0	28.3	14.0	19.0
Max. Fuse/Min. Circuit Ampacity													
Without Electric Heat	5/2	5/1	5/3	5/1	5/2	5/1	5/2	5/1	5/3	5/2	5/3	5/2	5/3
With Electric Heat Option	n/a		10/9	5/5	15/14	10/7	20/18	10/9	30/27	15/14	30/27	15/14	25/20
GPM/(liters/min.)	1.0/3.8		1.5/5.7		2.3/8.5		3.0/11.4		4.5/17.0		6.0/22.7		9.0/34.1
CFM/(M ³ /Hr.) NOMINAL	85/144		174/296		227/386		276/469		322/547		413/702		550/935
External SP (in. H ₂ O/eq. Ft.)	0.22/31		0.72/79		0.23/45		0.36/48		0.25/40		0.22/44		0.75/90
Dimensions (in/mm) ⁽⁴⁾													
Height Excluding Blower	10.72/272		10.20/259		11.90/302		12.05/306		14.96/380		16.61/422		19.50/495
Height to Blower	9.43/240		12.63/321		13.25/337		13.88/353		16.50/419		16.68/424		19.50/495
Width	14.75/375		15.00/381		16.63/422		18.75/476		20.25/514		22.63/575		26.63/676
Depth	9.62/244		12.28/312		12.50/318		12.50/318		12.25/311		15.25/387		18.00/457
Supply Air Duct Diameter	4/102		5/127		6/152		6/152		7/178		8/203		8/203
Remote Mount Electric Box	8.00"/203mm High X 6.13"/156mm Wide X 2.00"/51mm Deep												
Return Air Inlet (sq in/cm)	64/413		70/452		98/632		130/839		200/1,290		240/1,548		360/2,323
Supply Air Outlet (sq in/cm)	32/206		35/226		49/316		70/452		100/645		140/903		196/1,265
Chilled Water Inlet/Outlet	0.50" FPT brass with 0.625" HB brass for units 4-24												1"FPT w/PVC
Net Weight (lbs/kg) ⁽⁵⁾	14.0/6.4		18.4/8.3		24.0/10.9		24.0/10.9		32.8/14.9		38.0/17.2		60.0/27.2
Gross Weight (lbs/kg) ⁽⁵⁾	24.0/10.9		28.4/12.9		34.0/15.4		34.0/15.4		36.8/16.7		52.0/23.6		66.0/29.2

Notes:

- Model numbers shown are for 115V units. Add a "Z" after the number to designate 230V (i.e. AT12HVZ).
- Electrical and blower data is based on 50Hz performance.
- Auxiliary heating elements are optional, and must be ordered with unit. Add "-1kW, -1.5kW, etc." to the model number.
- Rotatable feet affect the final dimensions. Front feet add 1.5" to the front, or 1.1" to both sides. Rear feet do not add to the width or depth when rotated to the side.
- Weights listed are for standard units. For weights of units with the electric heater option, add heater elements weights to unit weight. 1.0kW & 1.5kW = 1.5 lbs/0.7 kg; 2.0kW & 3.0kW = 3.0 lbs/1.4 kg. Dimensional weights may apply to shipping charges; contact your sales-admin representative.

INTERPRETING MODEL NUMBERS

AT	12	HV	Z	-FC	-L120	-2KW
"AT" style Air Handler	Capacity x 1000 BTU/Hr	Blower: HV=high-efficiency F=external-motor	Voltage: Z=230V blank=115V	With Flow Control blank=No	Valve and Blower Orientation	Elec Heat: KW of heat blank=No

Dometic Corporation
Environmental Systems

P.O. Box 15299 • Richmond, VA 23227-0699 USA • Phone: 804-746-1313 • Facsimile: 804-746-7248
2000 N. Andrews Ave. Ext. • Pompano Beach, FL 33069-1497 USA • Phone: 954-973-2477 • Facsimile: 954-979-4414
For Sales and Service Calls Within Europe and the Middle East, please contact: +44 (0) 870 330 6101

Email: sales@crusair.com • Website: www.crusair.com

Revised: 02-14-05 L-2354